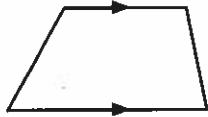
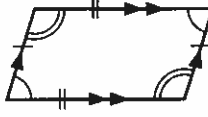


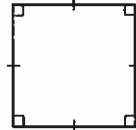


10-5

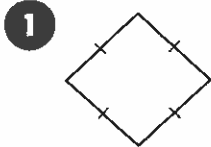
Study Guide and Intervention

Quadrilaterals

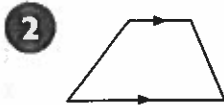
Quadrilaterals can be classified using their angles and sides. The best description of a quadrilateral is the one that is the most specific.

 <p>Trapezoid quadrilateral with one pair of parallel sides</p>	 <p>Parallelogram quadrilateral with opposite sides parallel and opposite sides congruent</p>	 <p>Rectangle parallelogram with 4 right angles</p>	 <p>Rhombus parallelogram with 4 congruent sides</p>	 <p>Square parallelogram with 4 right angles and 4 congruent sides</p>
---	---	---	---	--

EXAMPLES Classify the quadrilateral using the name that *best* describes it.



The quadrilateral is a parallelogram with 4 congruent sides. It is a rhombus.



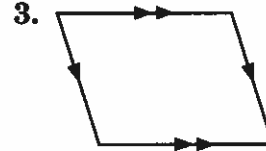
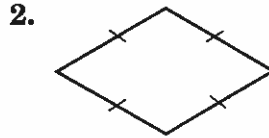
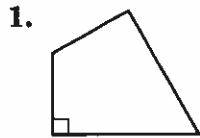
The quadrilateral has one pair of parallel sides. It is a trapezoid.



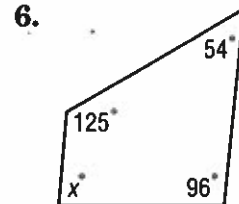
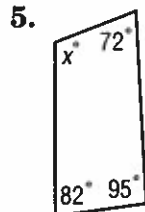
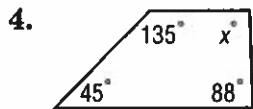
The quadrilateral is a parallelogram with 4 right angles. It is a rectangle.

EXERCISES

Classify the quadrilateral using the name that *best* describes it.



Find the missing measure in each quadrilateral.

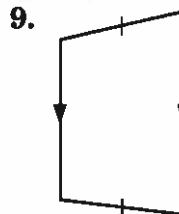
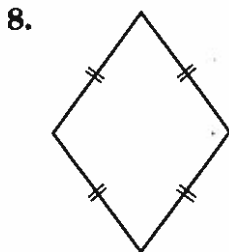
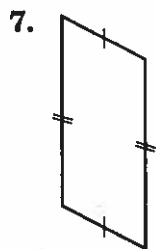
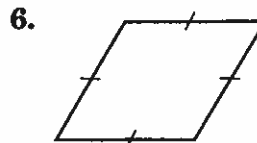
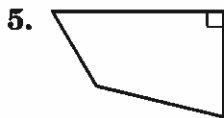
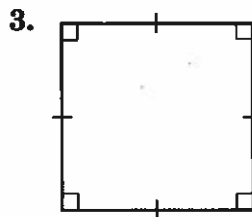
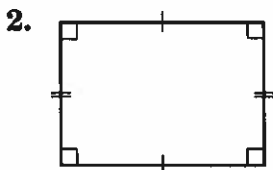
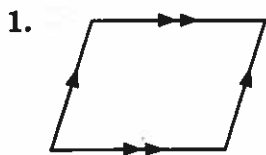


10-5

Practice: Skills

Quadrilaterals

Classify the quadrilateral using the name that *best* describes it.



Find the missing angle measure of each quadrilateral.

